

HP4395A
SPECTRUM
ANALYZER

Auxiliary beam
to IM4

**AUXILIARY
NPRO**
SLOW
Temperature
FAST
PZT

ESG100A
FUNCTION
GENERATOR

Hybrid
splitter

New Focus
1811

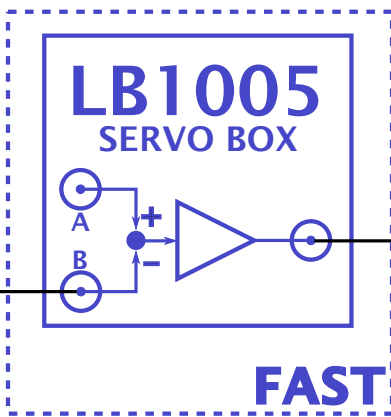
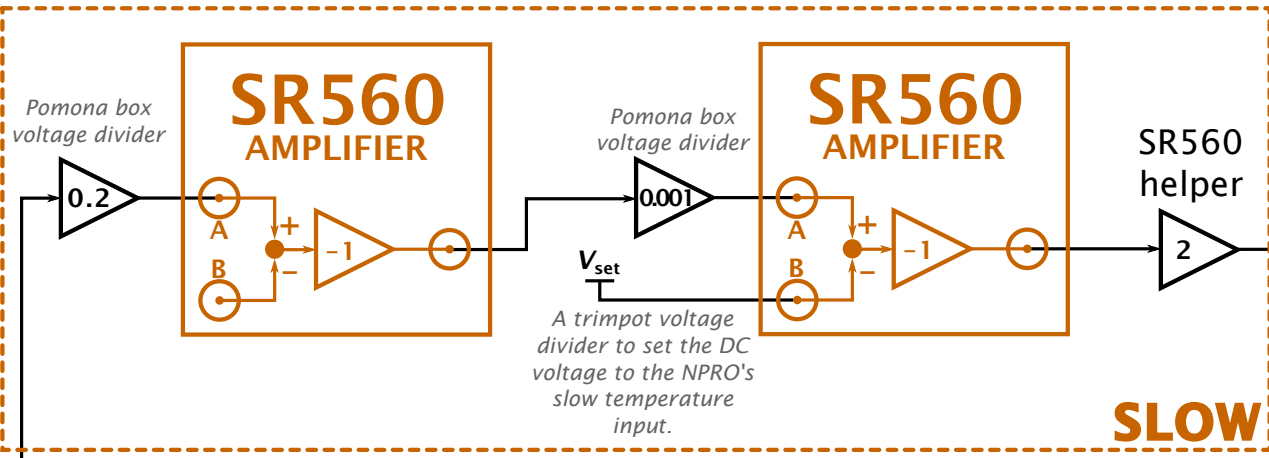
Main beam
from IM4

Auxiliary beam
from IM4

Level 7



-20 dBm
beat signal



1.9 MHz low-pass
(SLP-1.9)