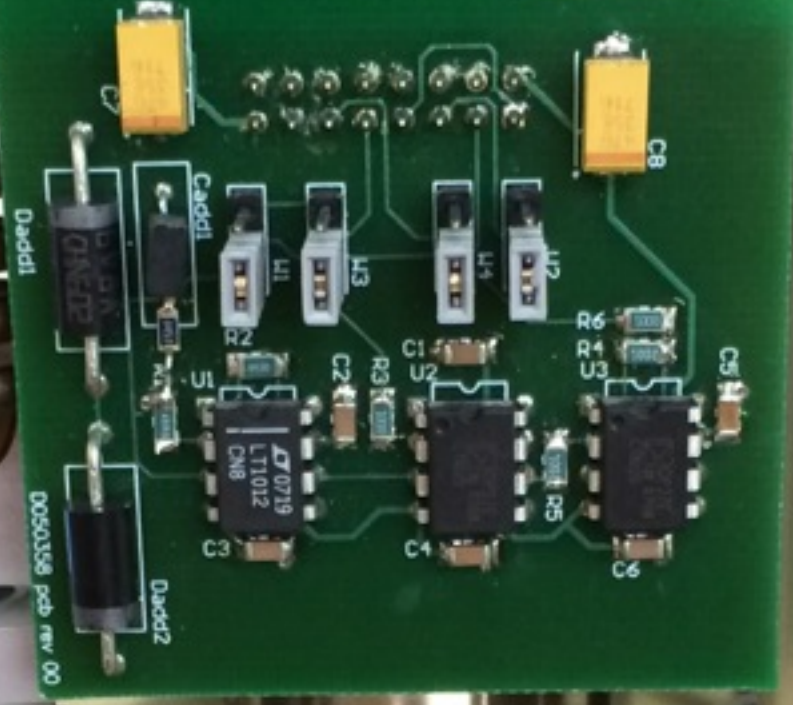


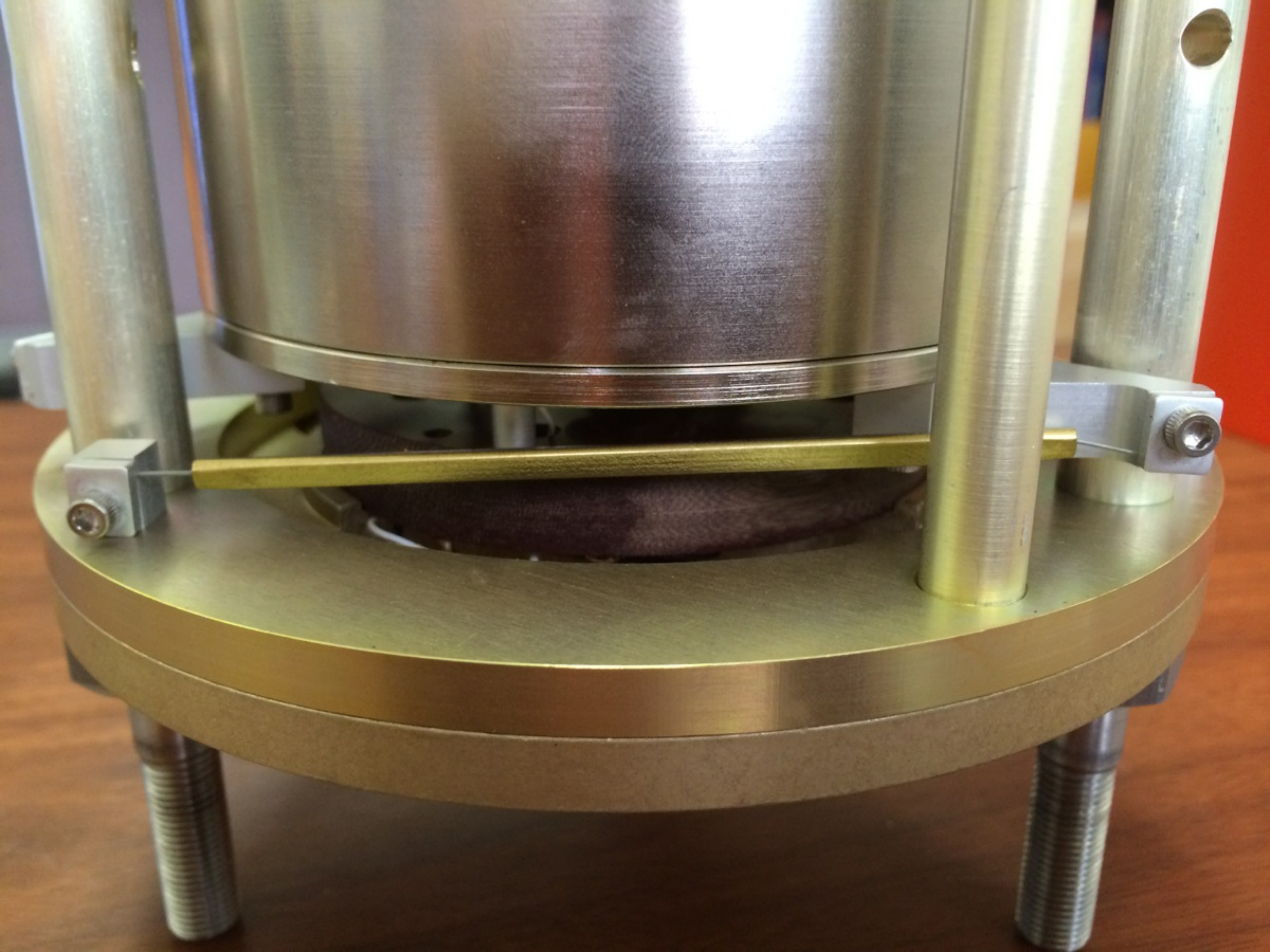
GS1 3 Pre-Amp Prototype
D050358 Rev

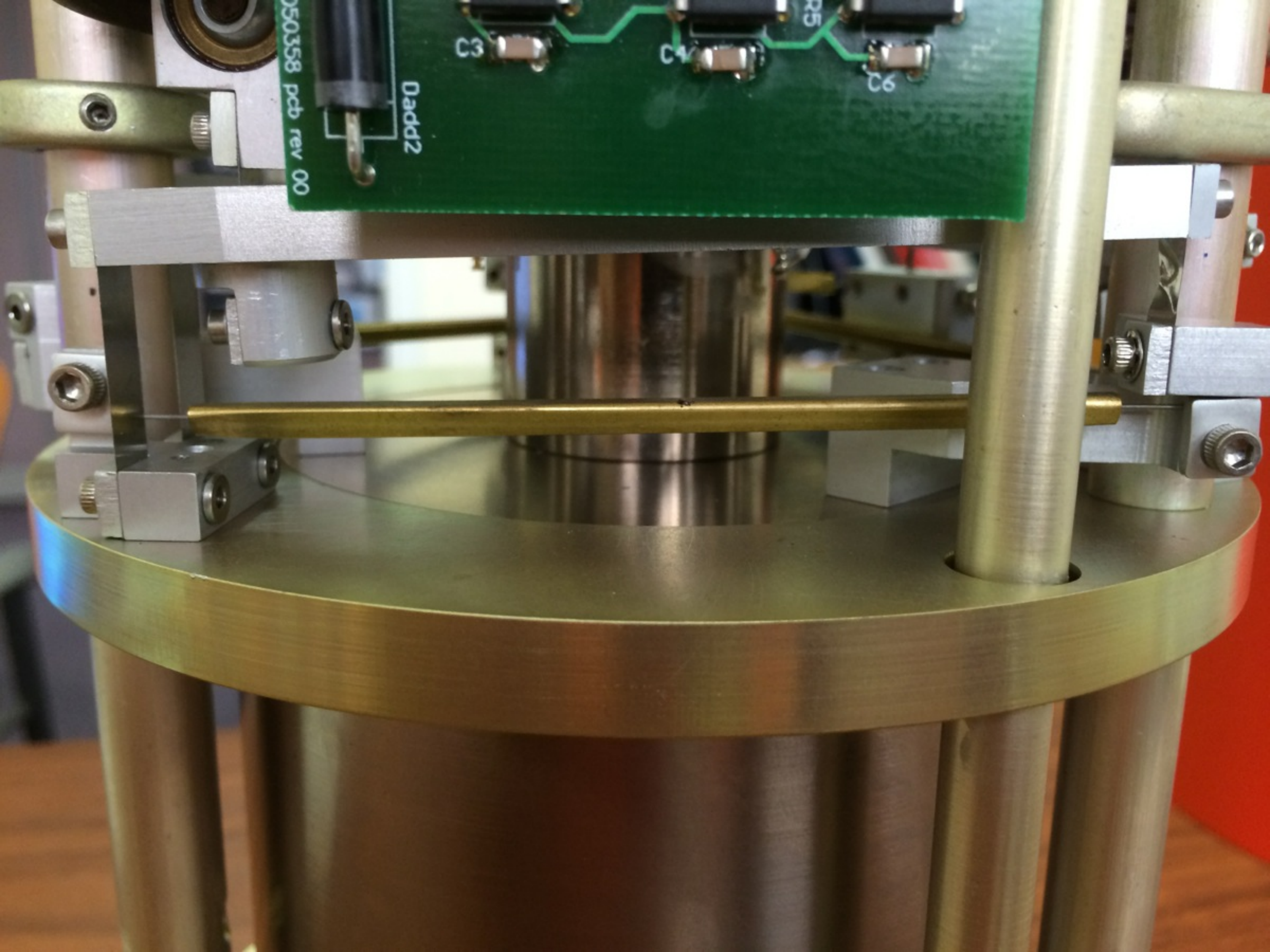
Ser No Larry

B



D050358 pcb rev 00





050358 pcb rev 00

Dadd2

C3

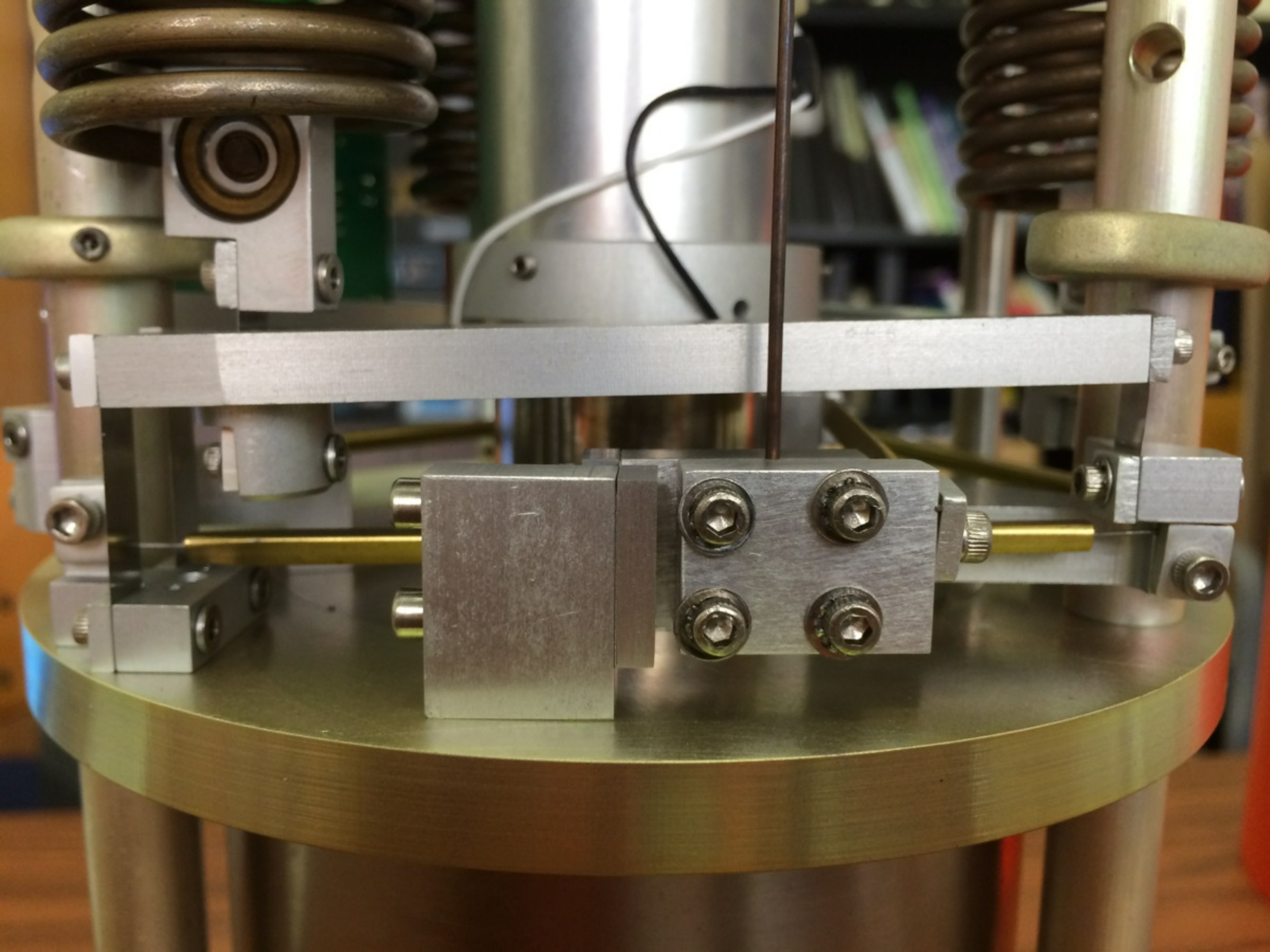
C4

C6

R5







-Amp Prototype

Rev

B

No

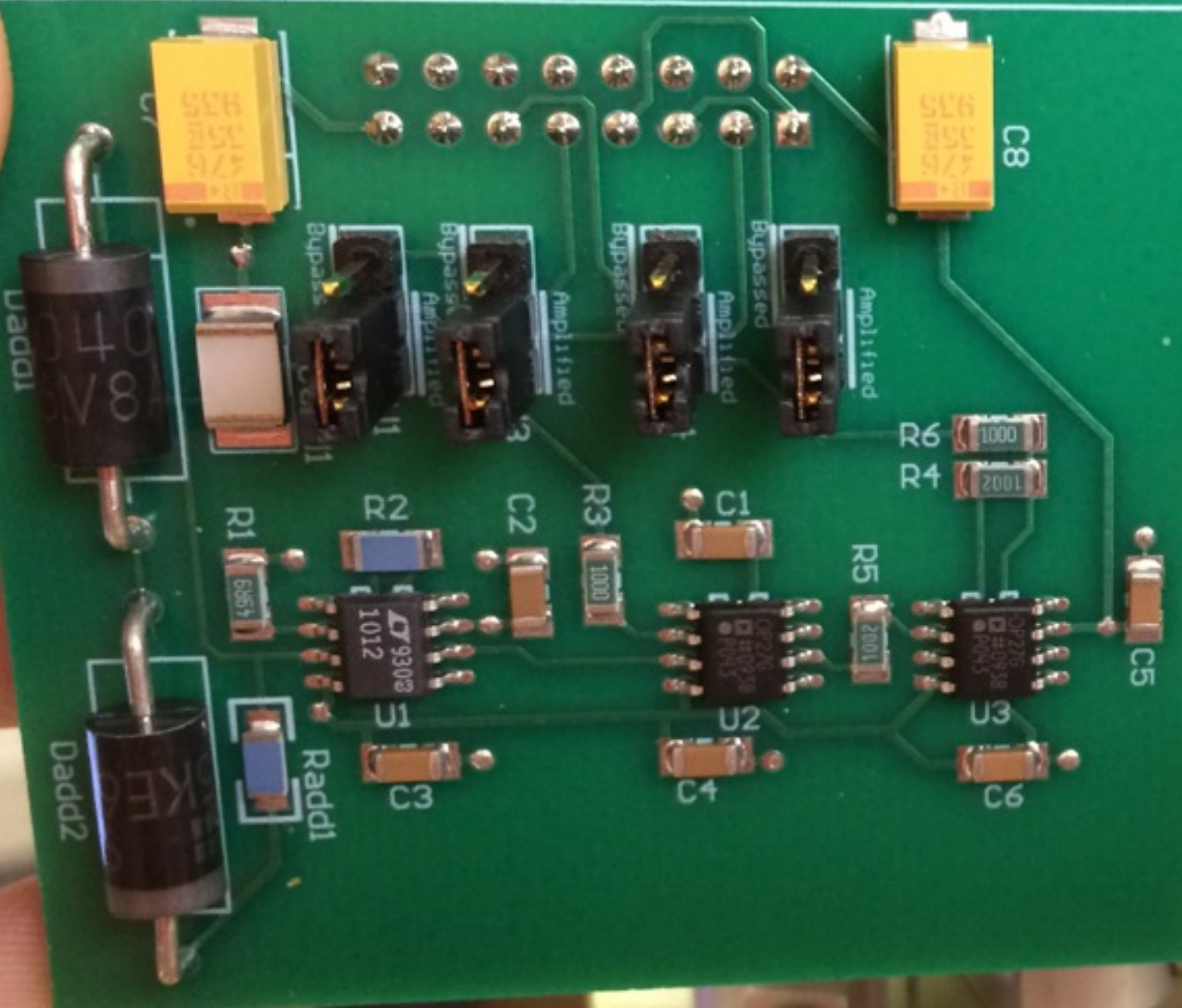
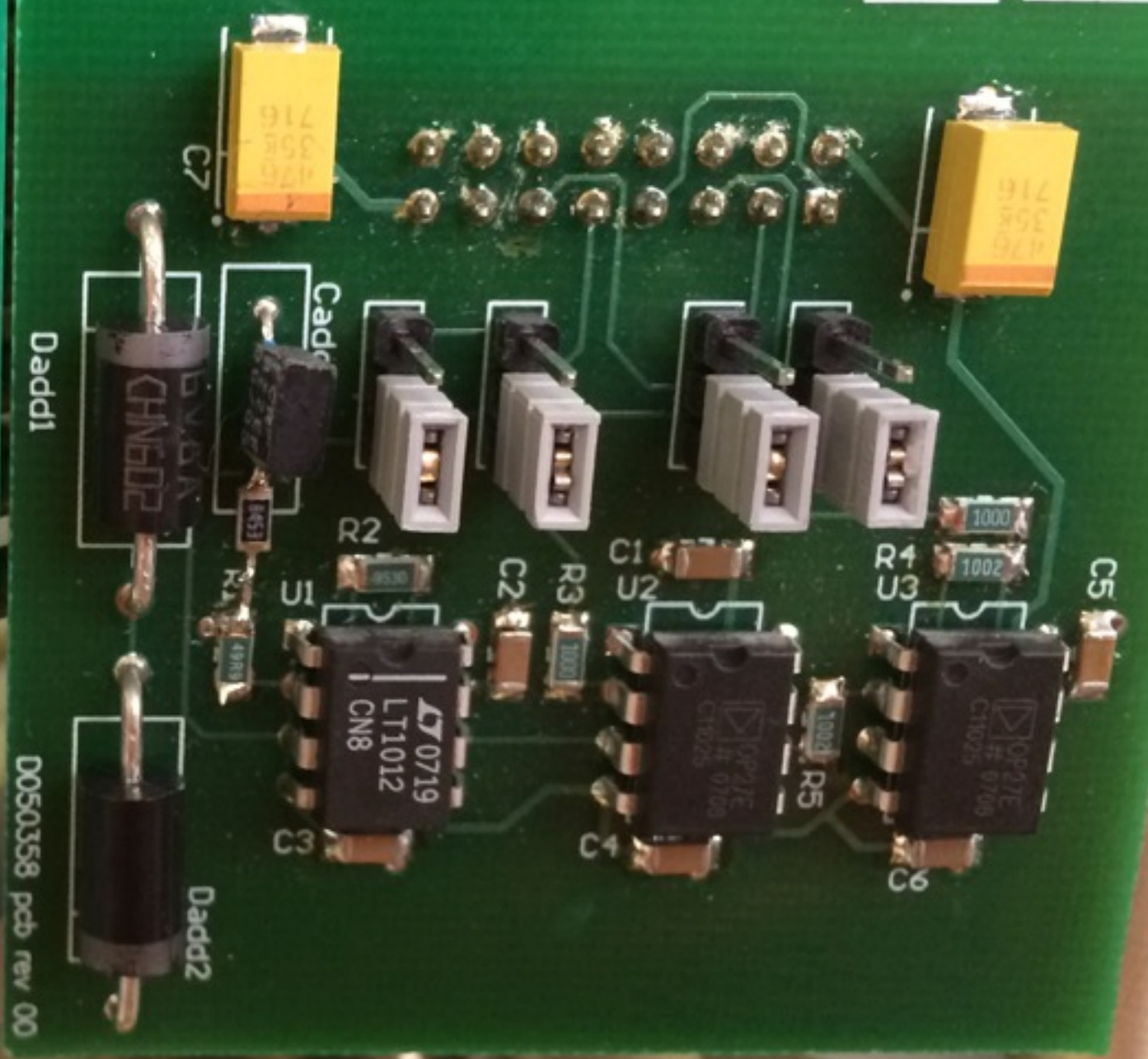
Larry

3 Pre-Amp

Rev

-D0902056-V1

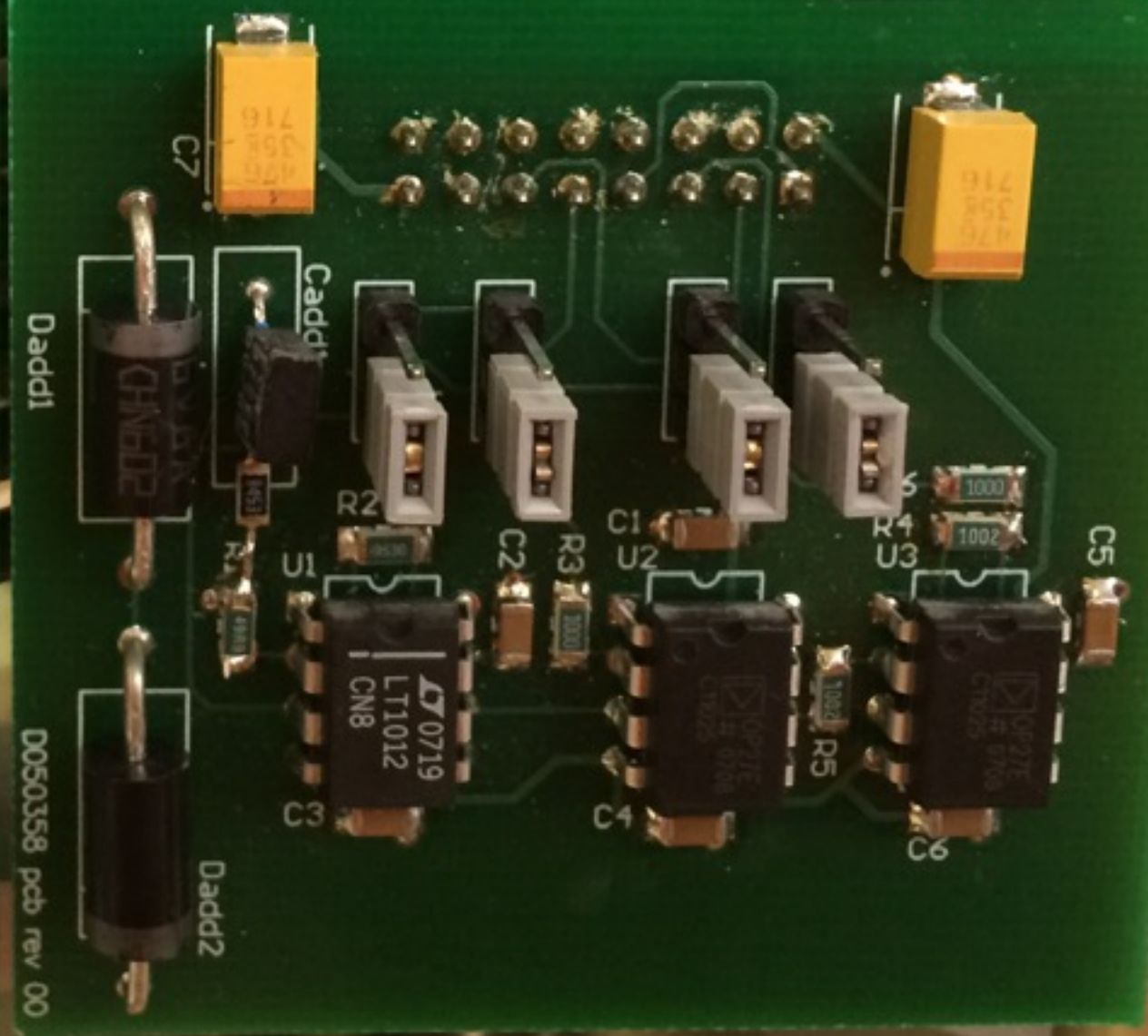
474



GS13 Pre-Amp Prototype
D050358 Rev

B

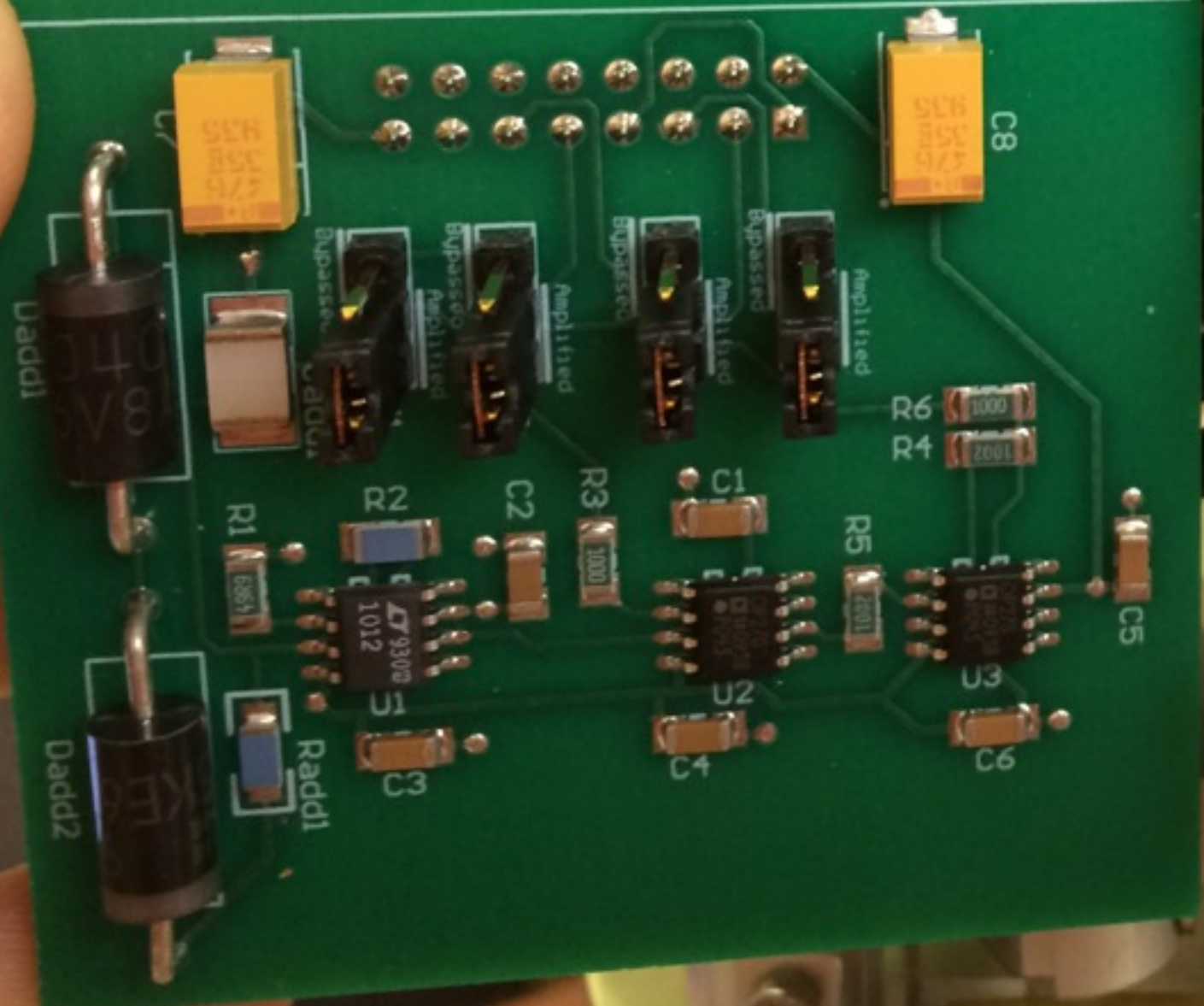
Ser No Larry

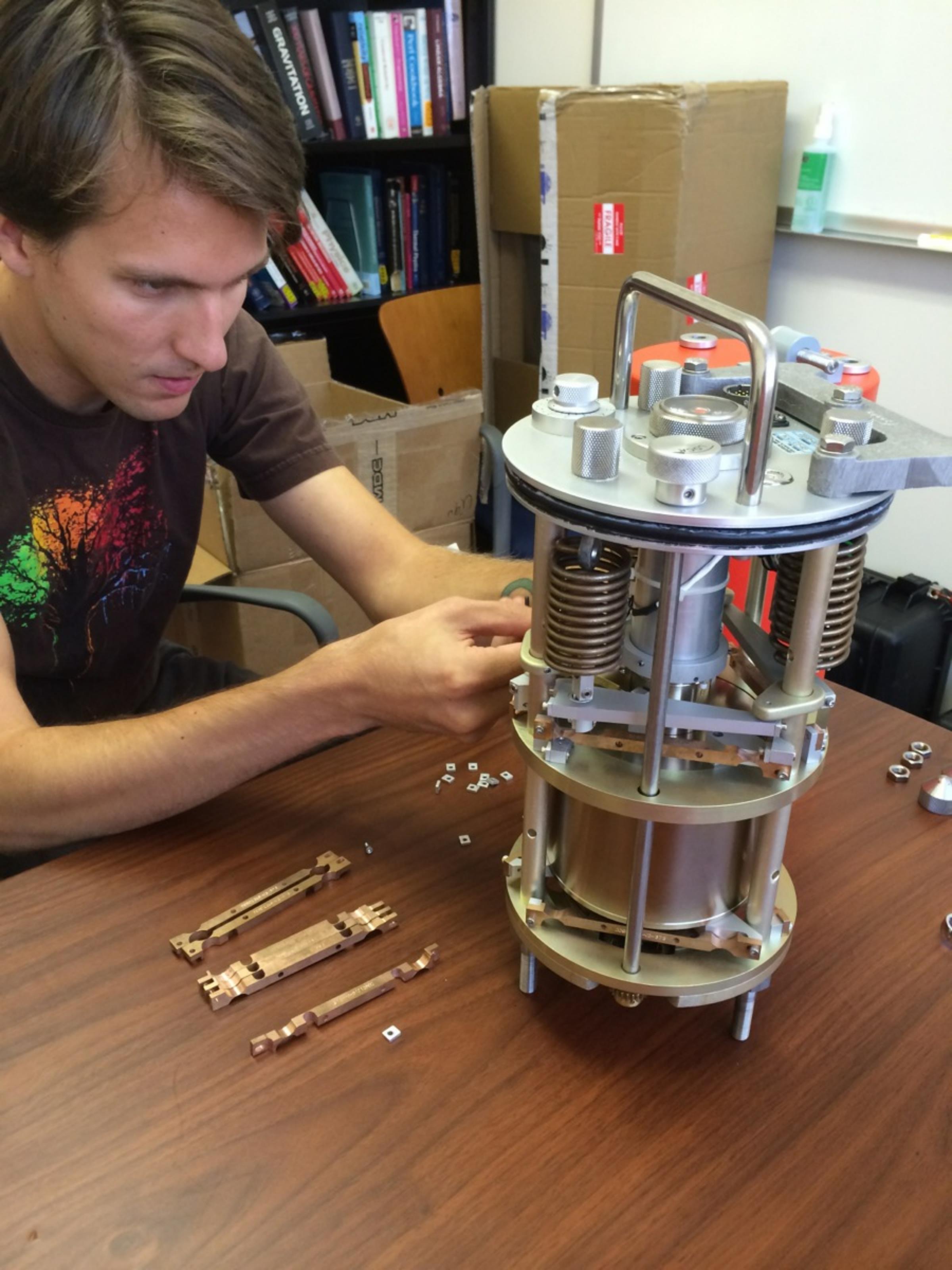


D050358 pcb rev 00

S1105474

AdLIG0 GS13 Pre-Amp
D050358 Rev
PCB LIG0-D0902056-V1
Ser No

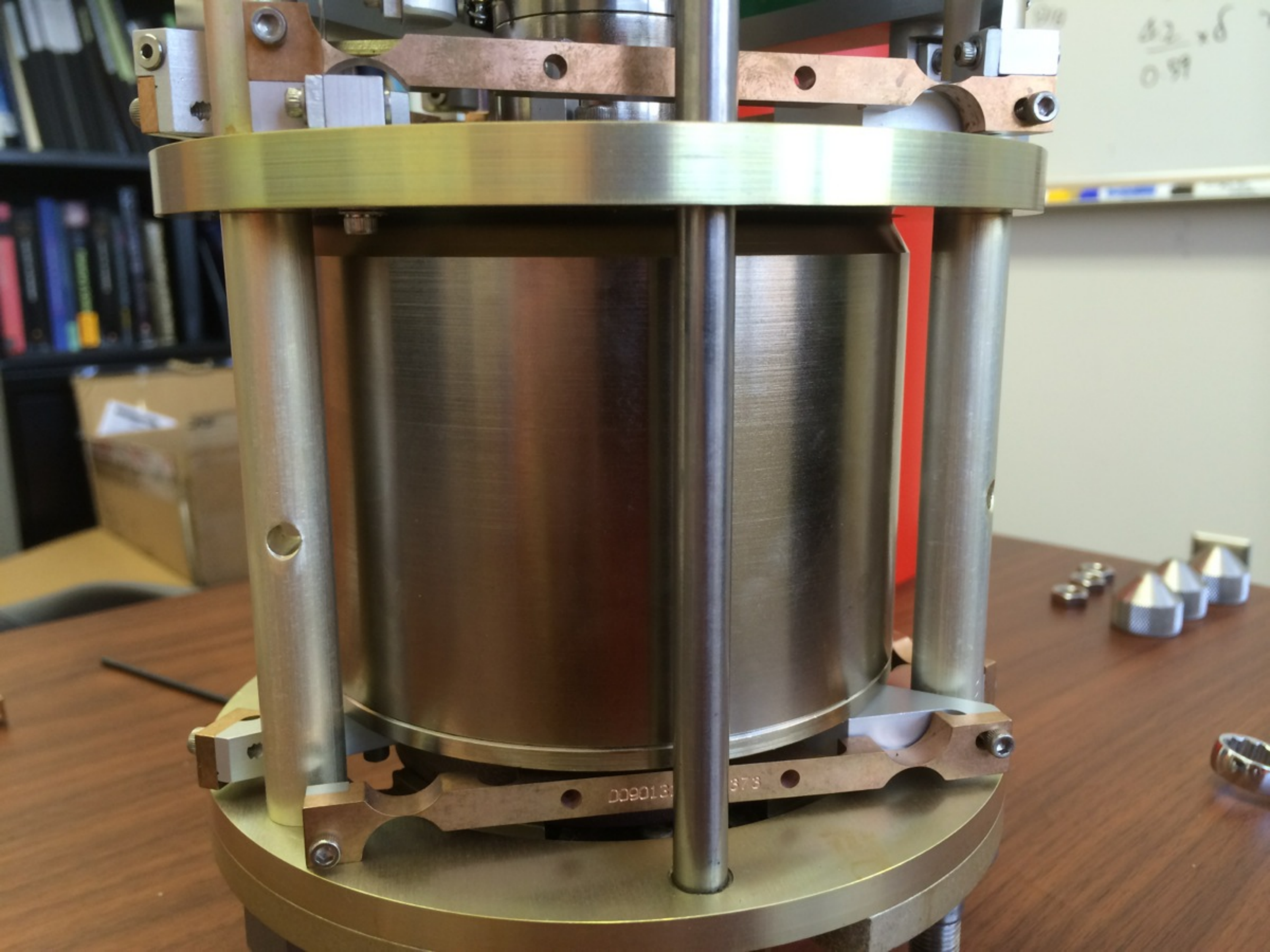






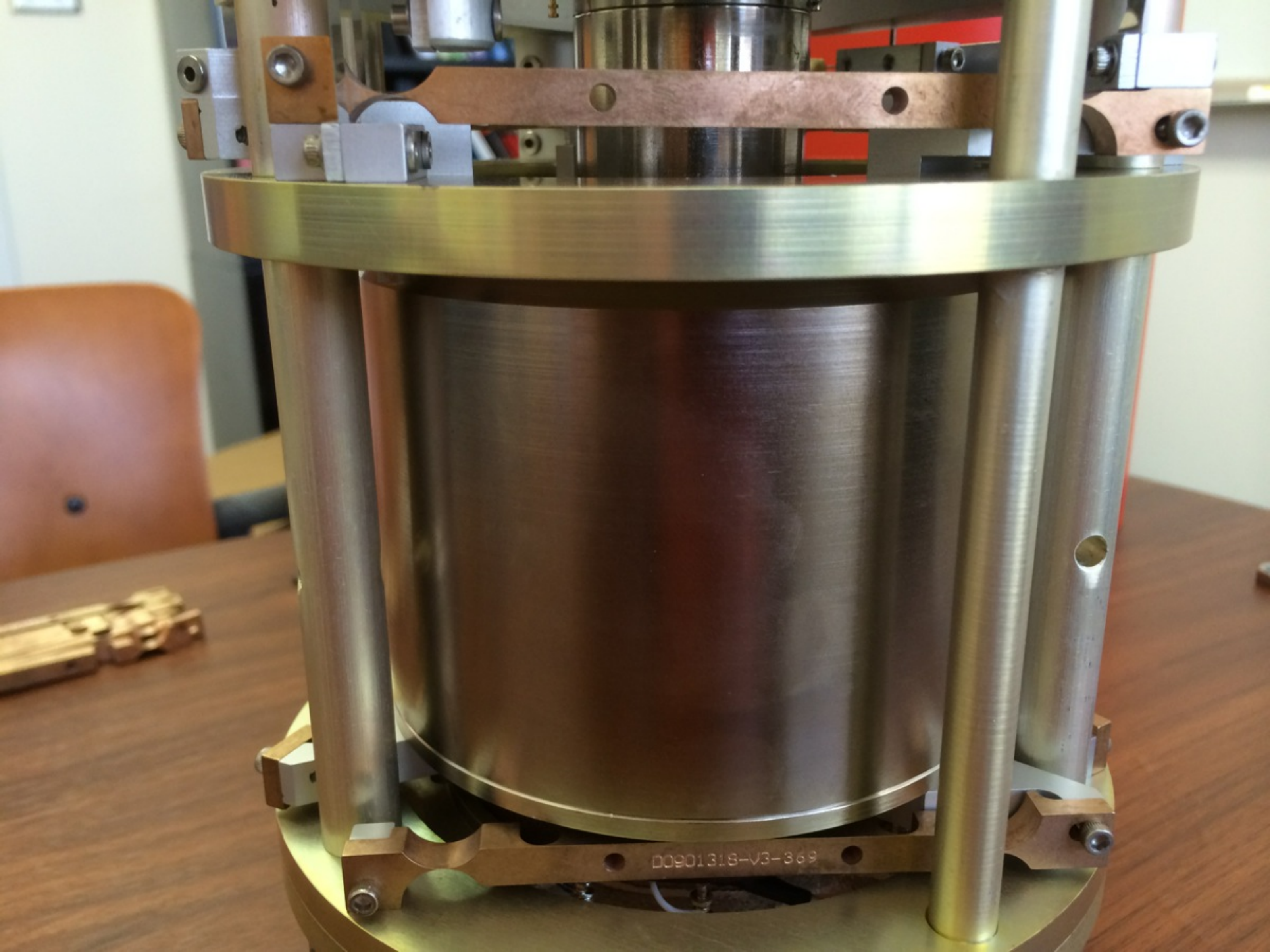
D090

13-373

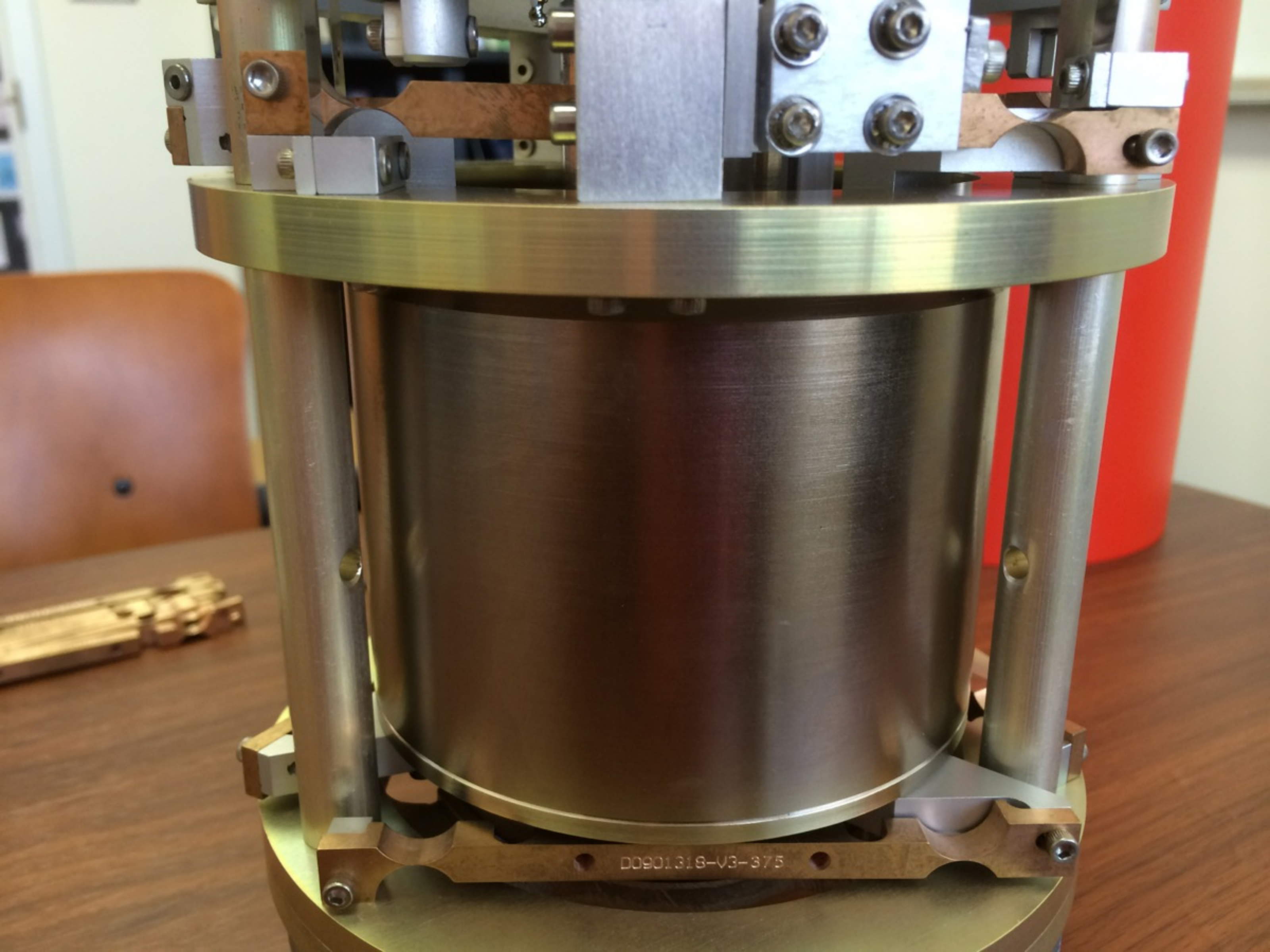


$$\frac{32 \times 8}{0.59}$$

009013 878



D0901318-V3-369



D0901318-V3-375

