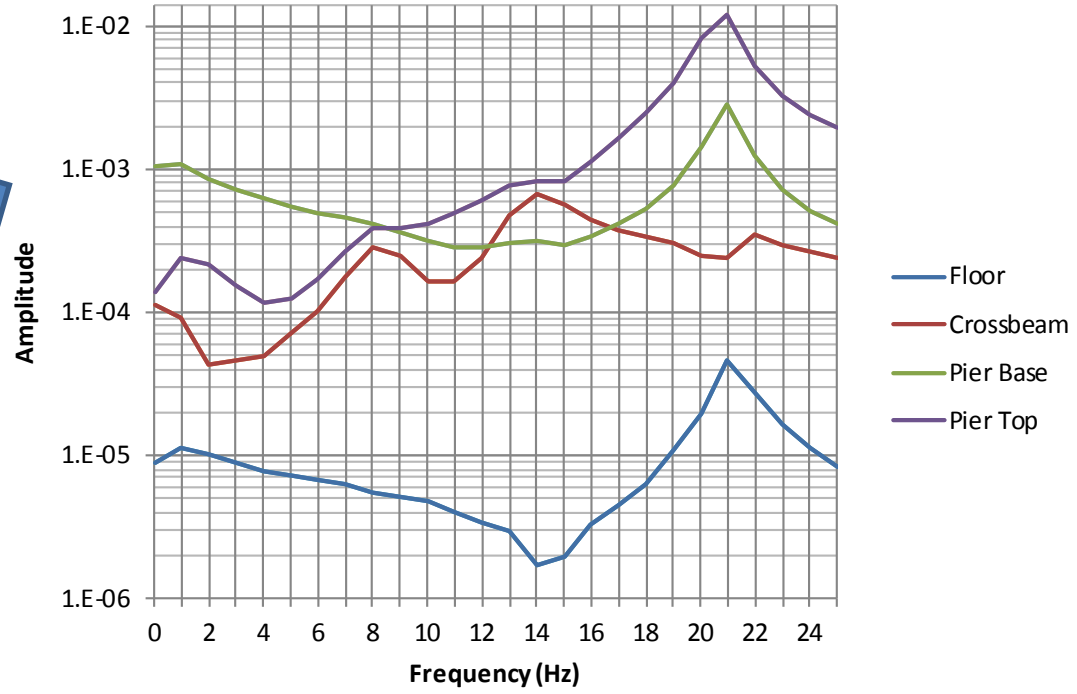
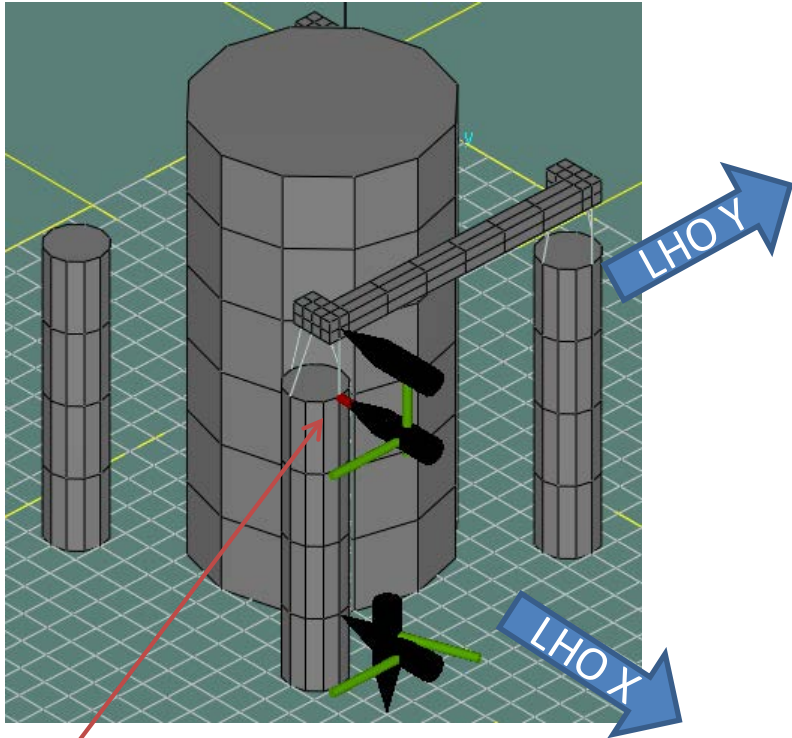


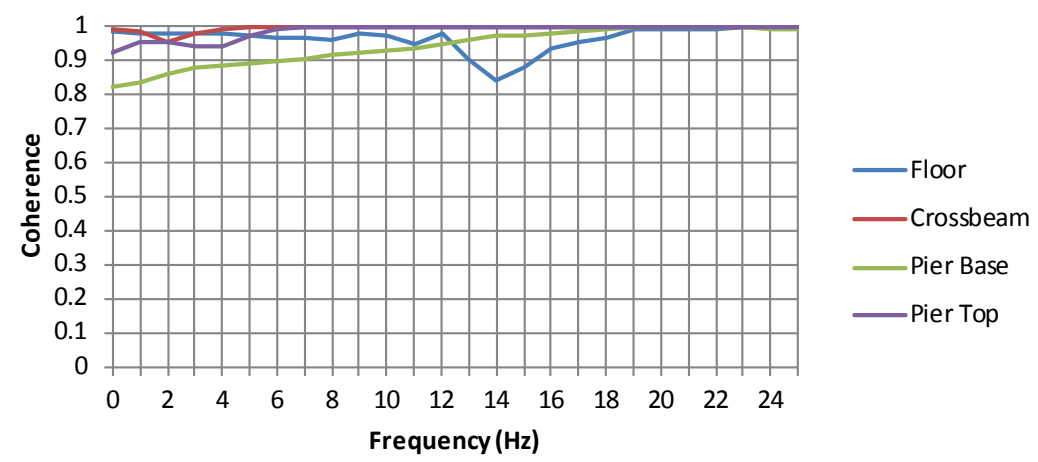
### 8340 Frequency Response by Impact Location



8340 Location

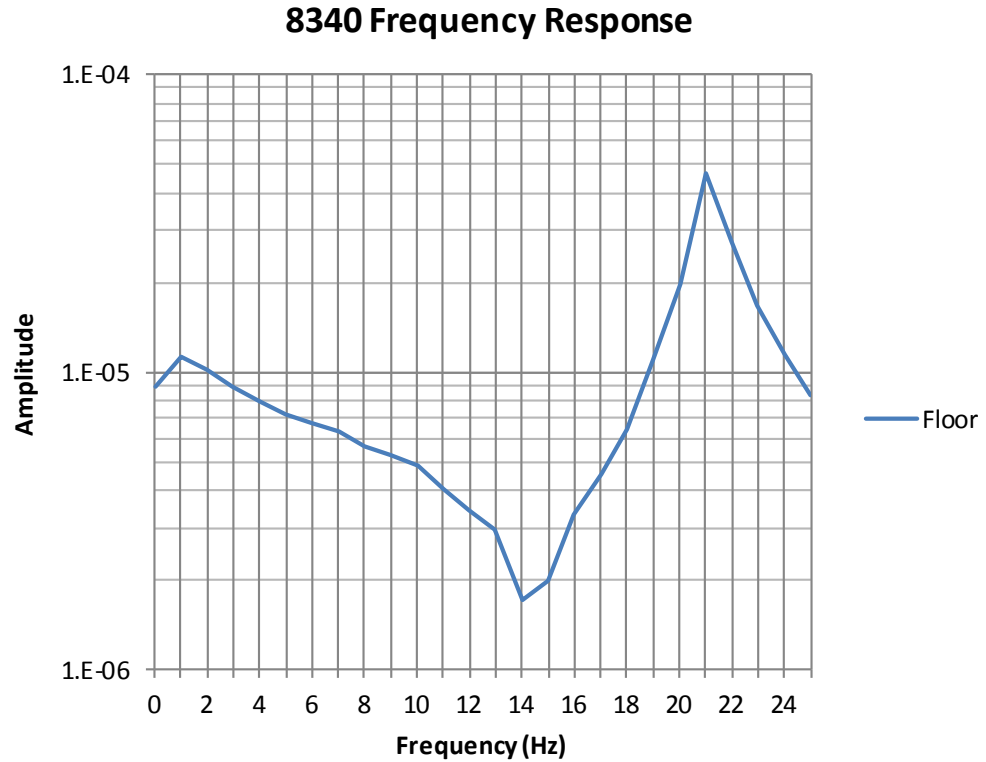
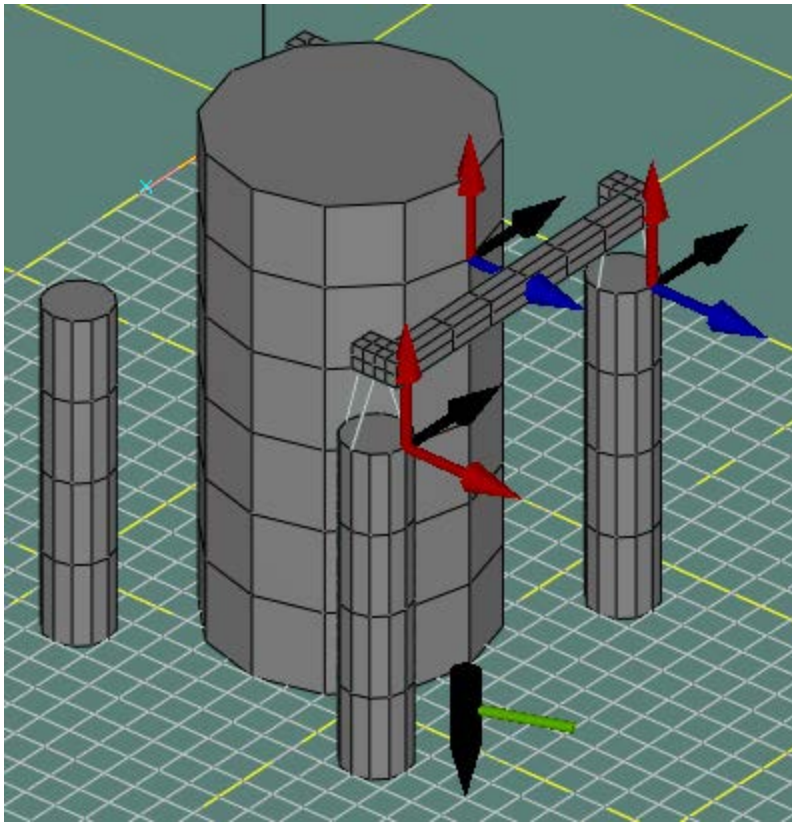


### 8340 Coherence by Impact Location



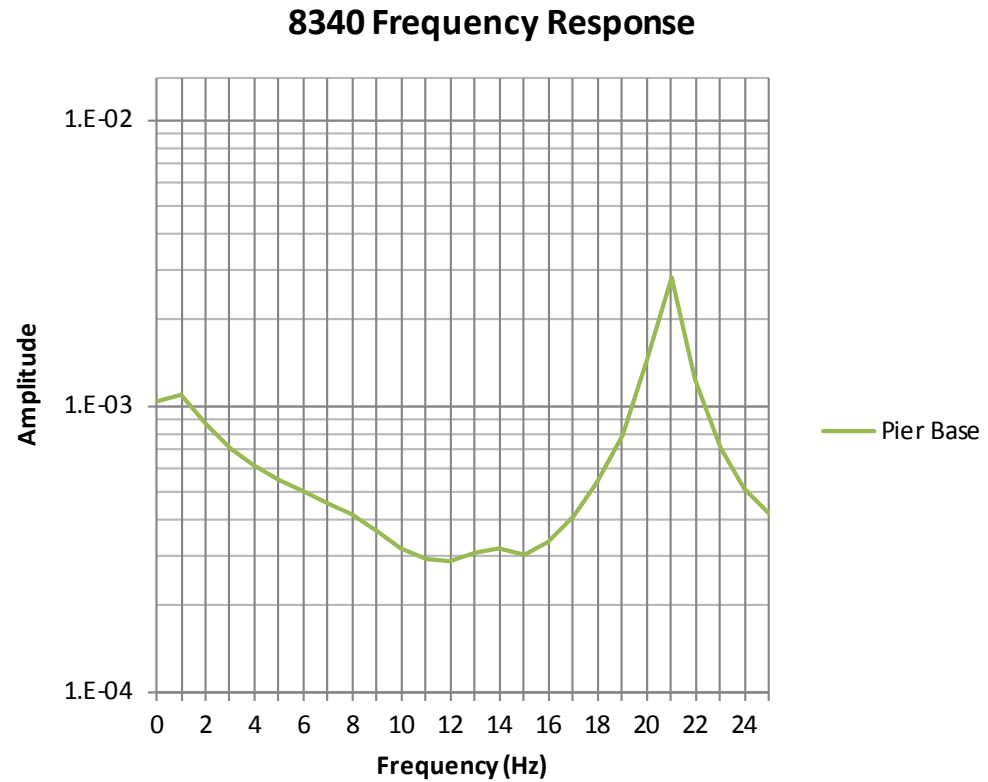
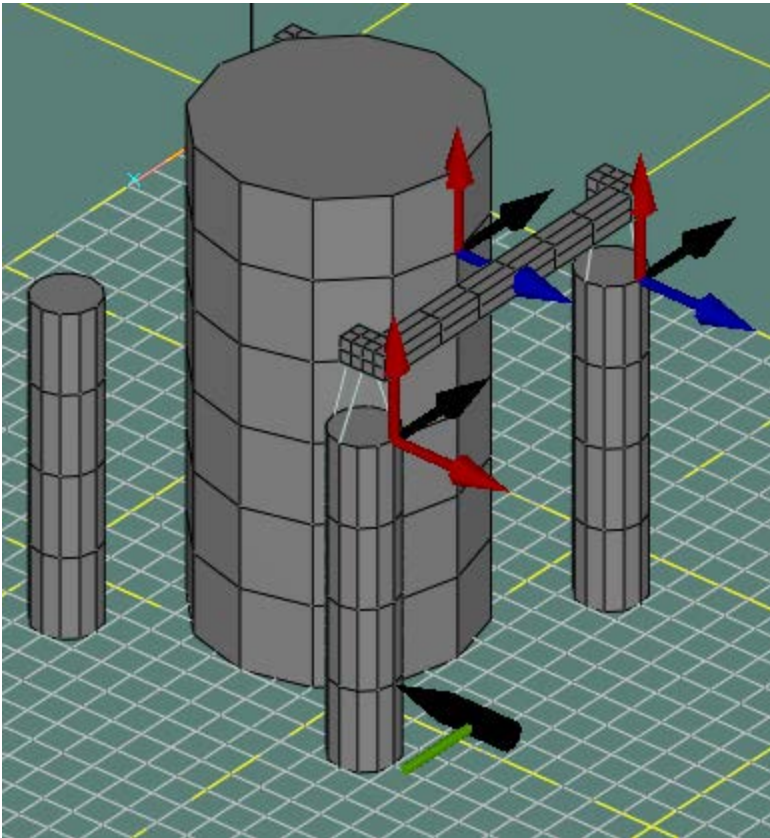
8340 Mount (Not shown on pier)

# Ground Impact – 2' from Pier Side

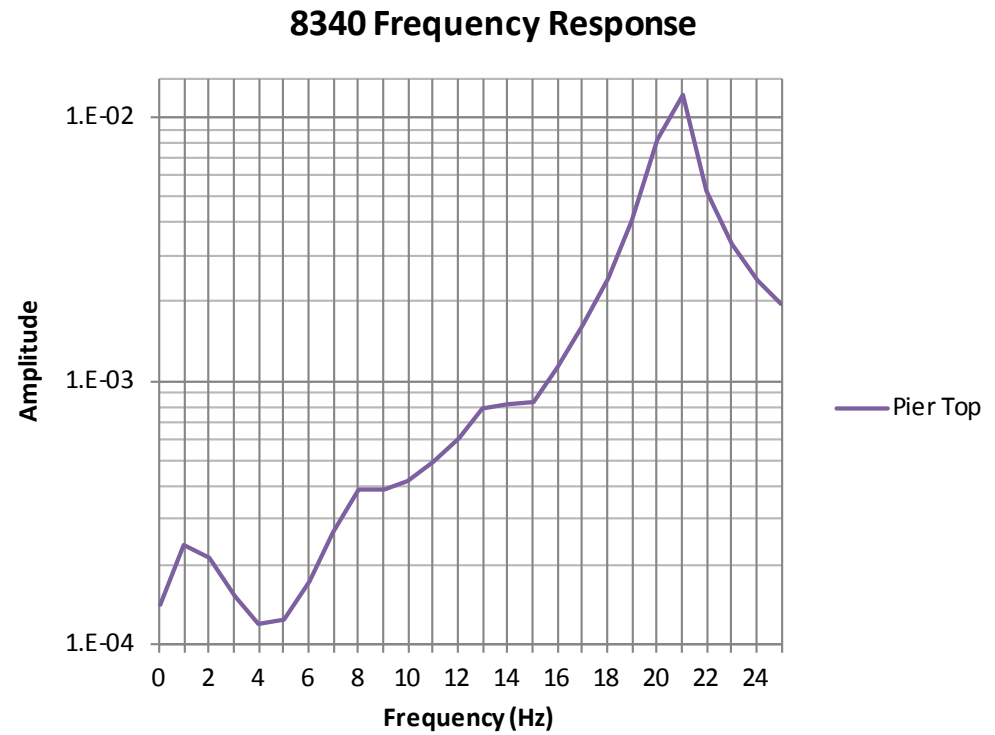
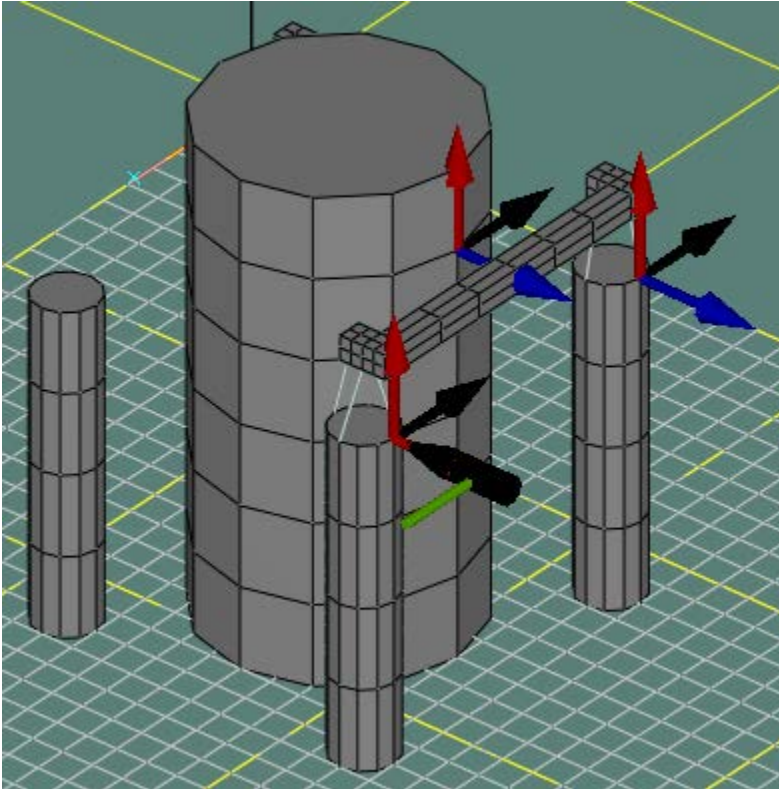


Extra DOFs are 4506 accelerometers

# Pier Base Impact – 25” from Floor



# Pier Top Impact



# Crossbeam Impact – Center above Pier

