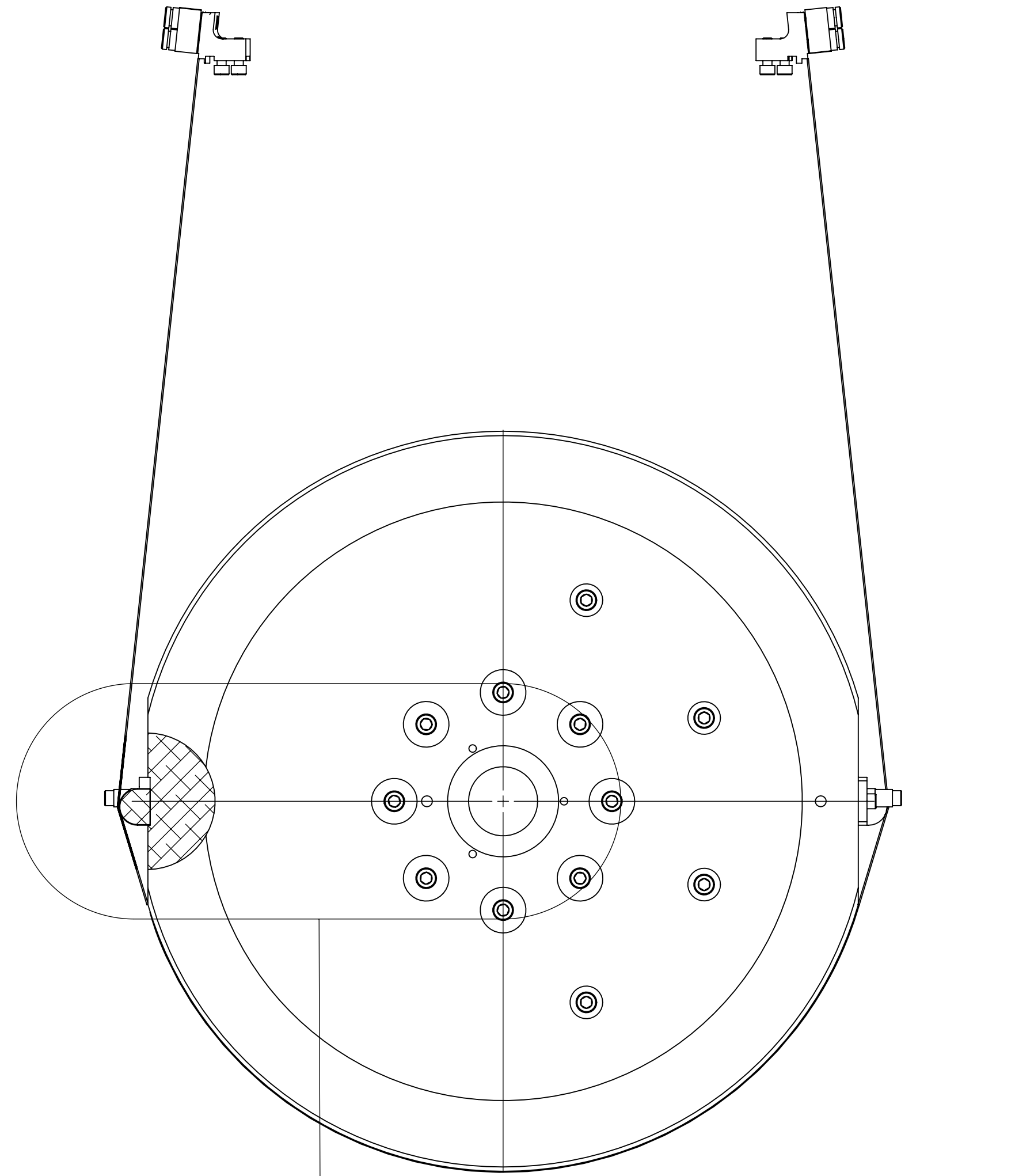
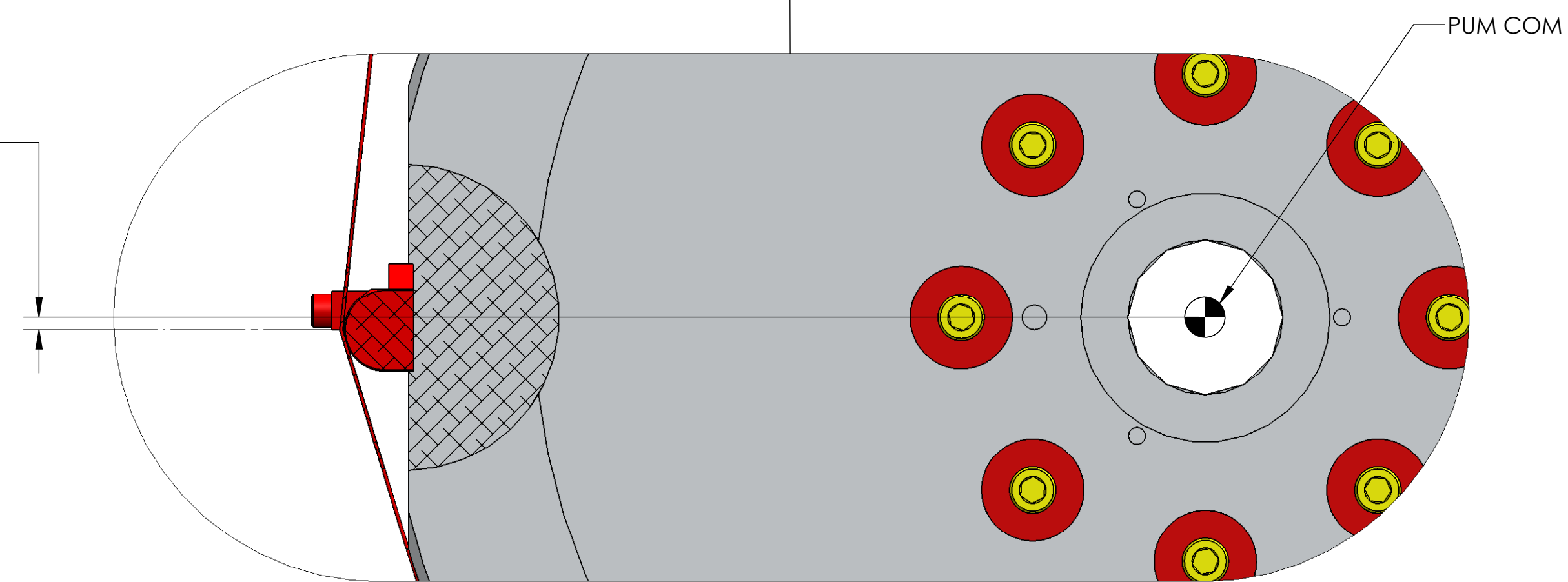


PUM METAL BUILD

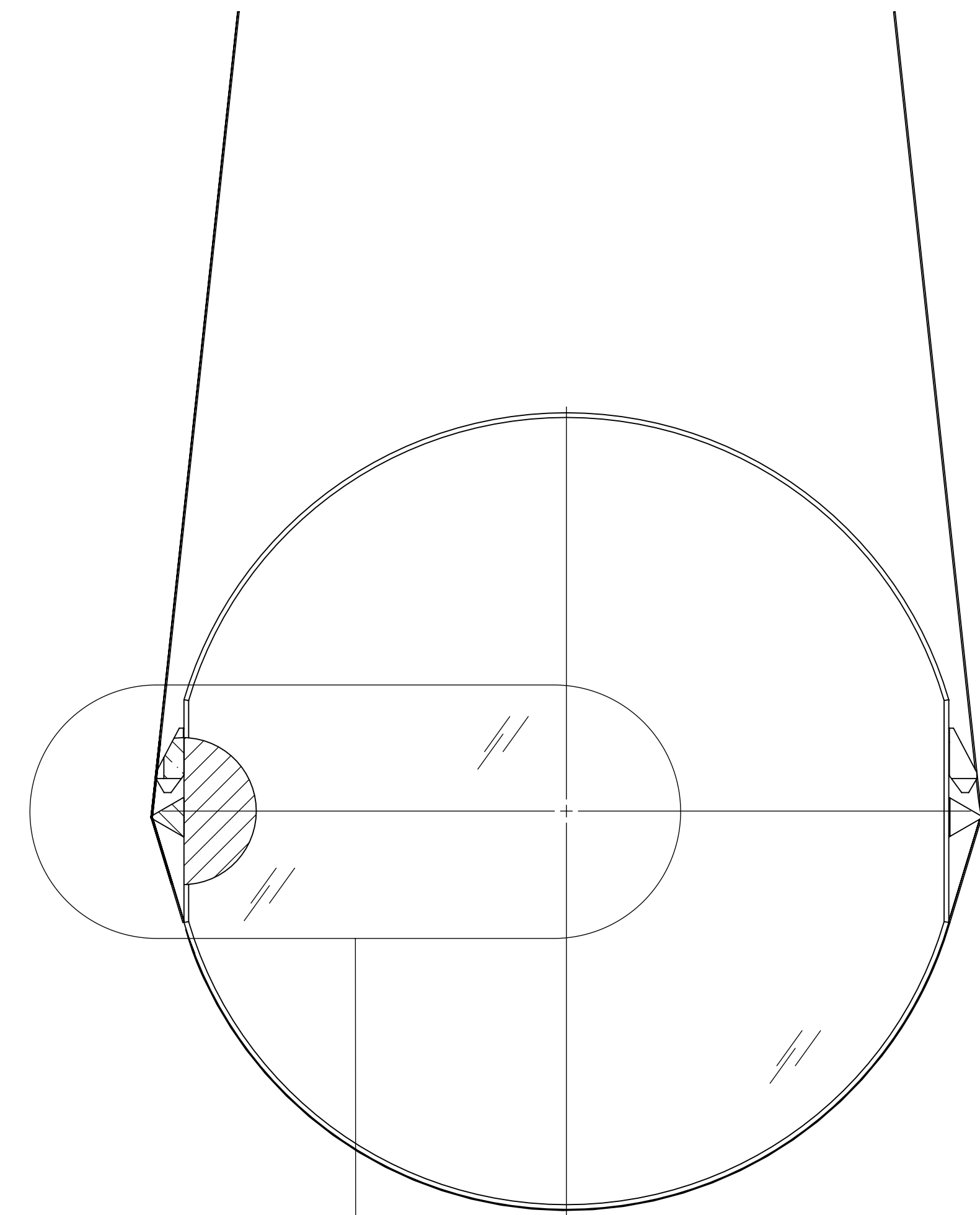


PHYSICAL
WIRE
BREAK-OFF
[2.58]
.102
BELOW
PUM COM

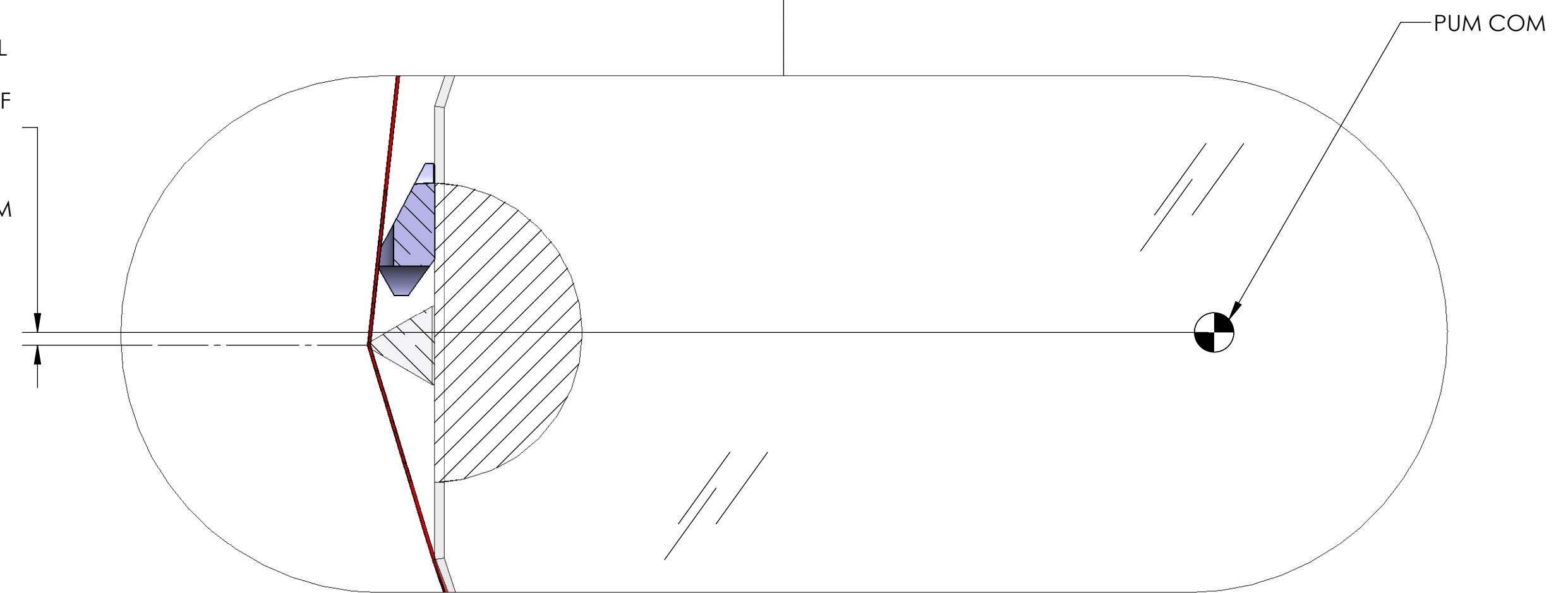


DETAIL A
SCALE 1 : 1

PUM GLASS BUILD



PHYSICAL
WIRE
BREAK-OFF
[2.67]
.105
BELOW
PUM COM



DETAIL B
SCALE 1 : 1