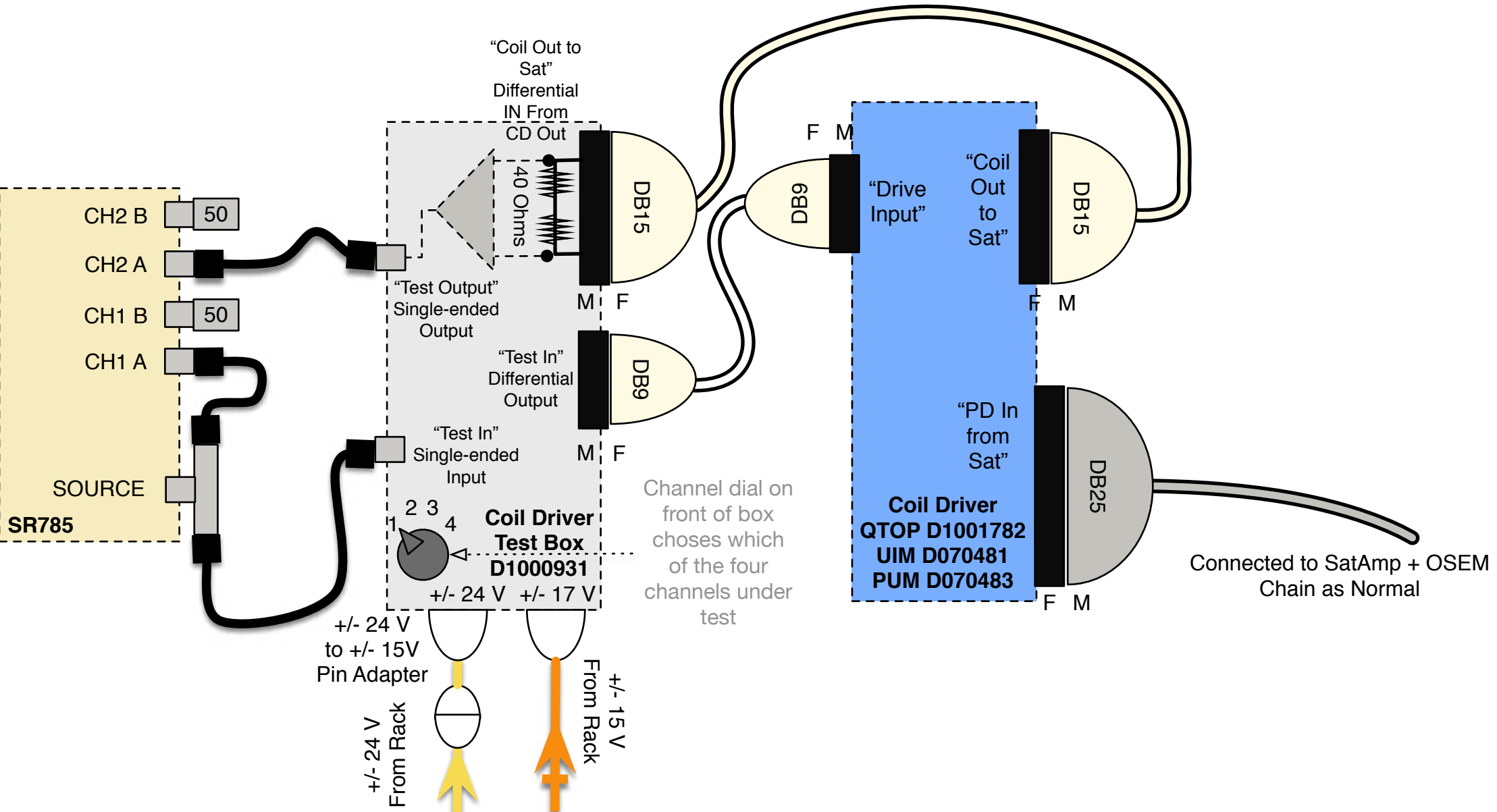
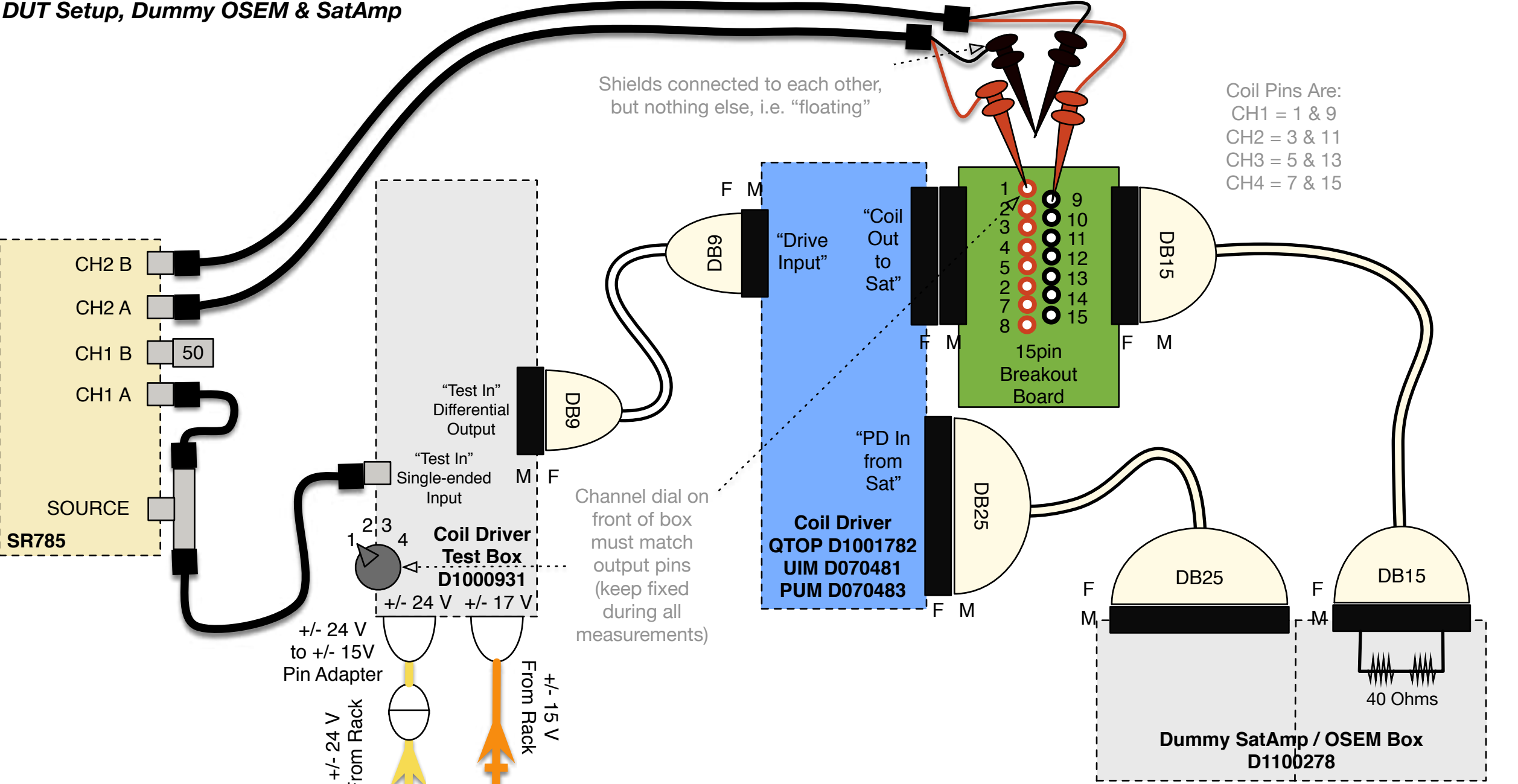


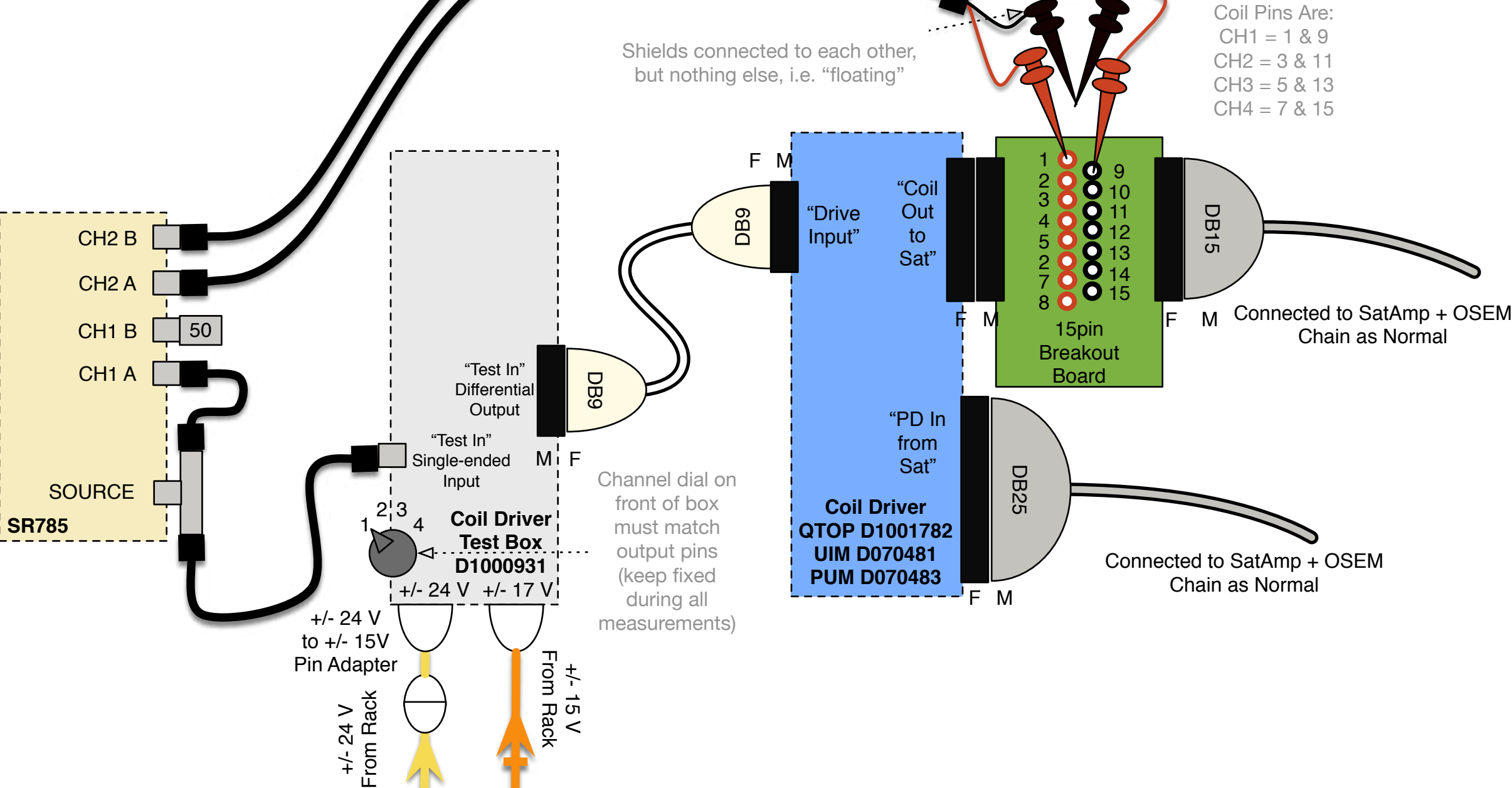
Coil Driver Measurement
J. Kissel, 2016-01-05
DUT Setup, Bench Test Setup



Coil Driver Measurement
J. Kissel, 2016-01-05
DUT Setup, Dummy OSEM & SatAmp



Coil Driver Measurement
J. Kissel, 2016-01-05
DUT Setup, Real OSEM Engaged



Coil Pins Are:
 CH1 = 1 & 9
 CH2 = 3 & 11
 CH3 = 5 & 13
 CH4 = 7 & 15

Shields connected to each other,
 but nothing else, i.e. "floating"

Channel dial on
 front of box
 must match
 output pins
 (keep fixed
 during all
 measurements)

Connected to SatAmp + OSEM
 Chain as Normal

Connected to SatAmp + OSEM
 Chain as Normal

