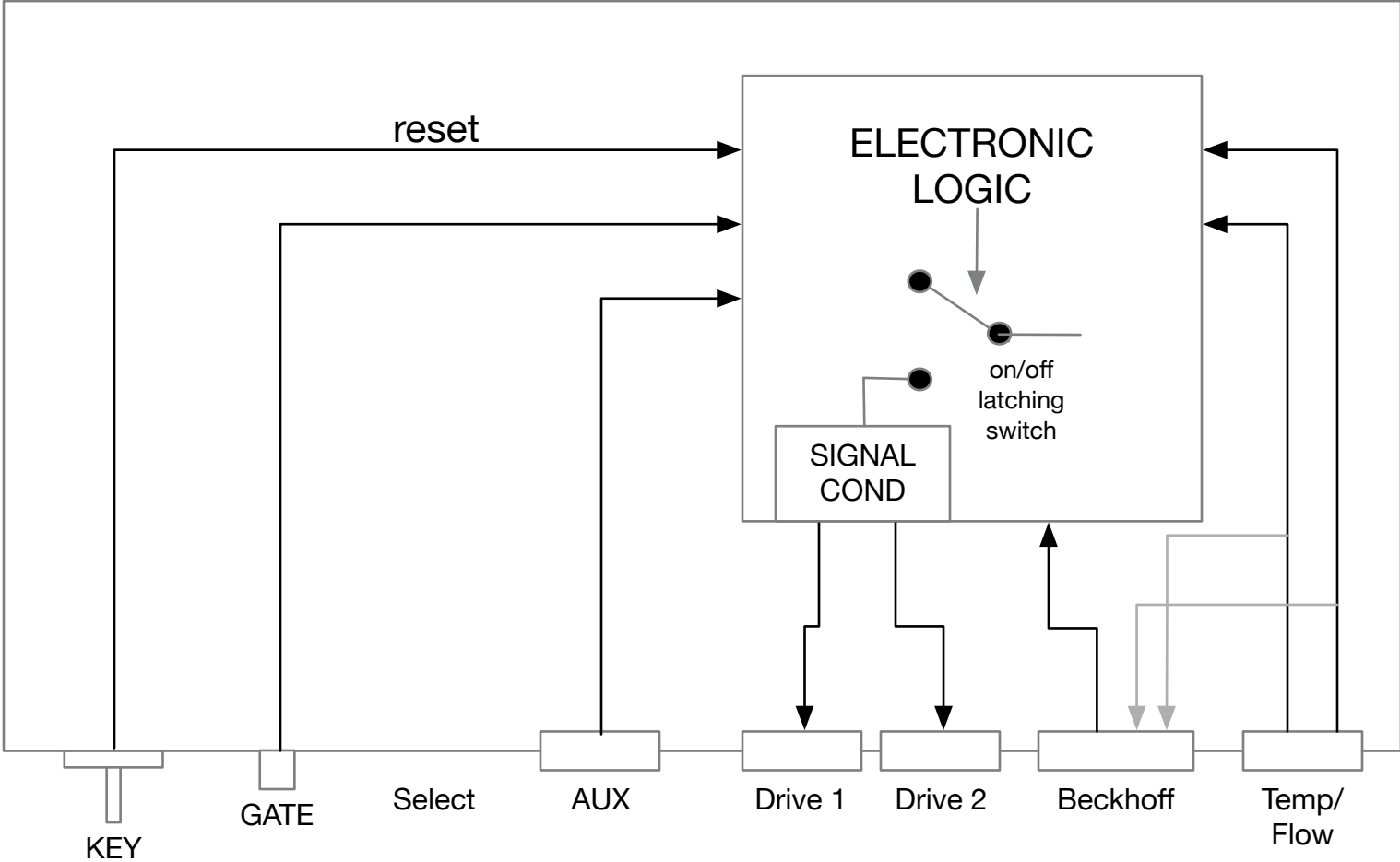
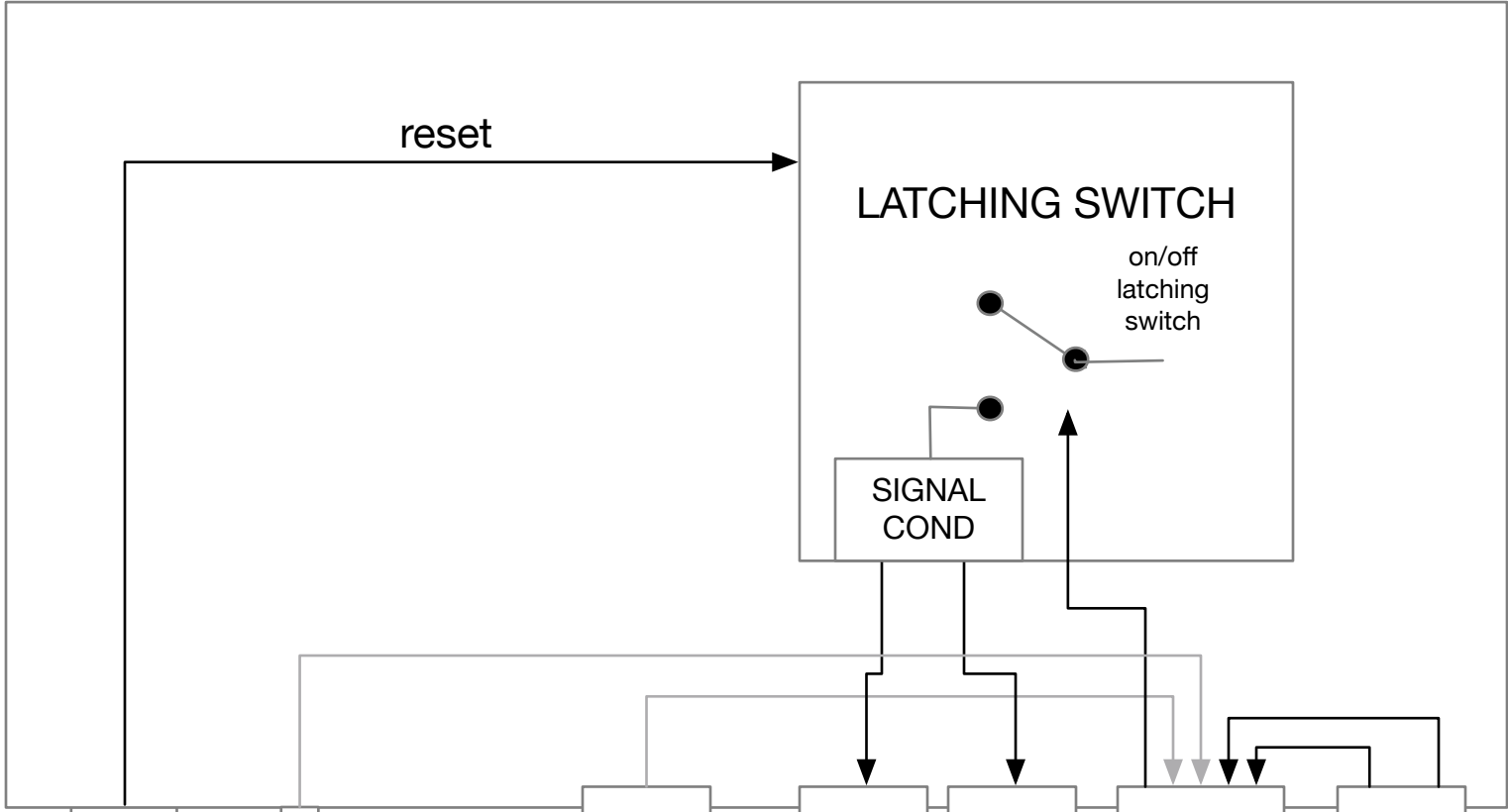


D1200745  
CO2 Laser Interlock Chassis





Redesigned  
ALL BECKHOFF  
CO2 Laser Interlock Chassis

LOGIC