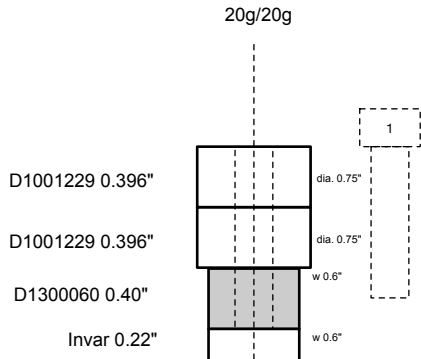
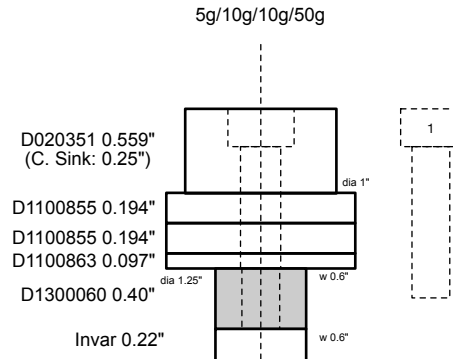


OLD: LHO OMC #003 balance mass distribution

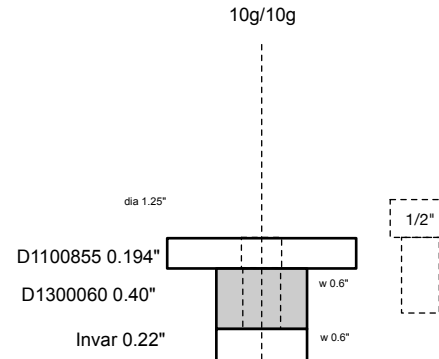
**Above
QPDs / FM1**



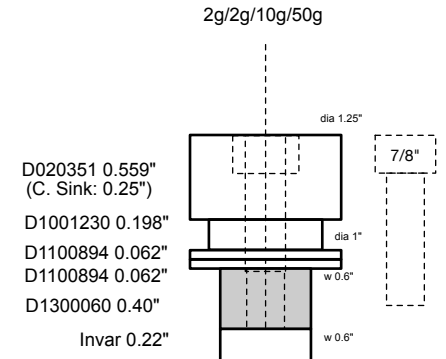
**Injection side
Above
CM1/PZT1**



**Above
DCPD Refl / FM2**

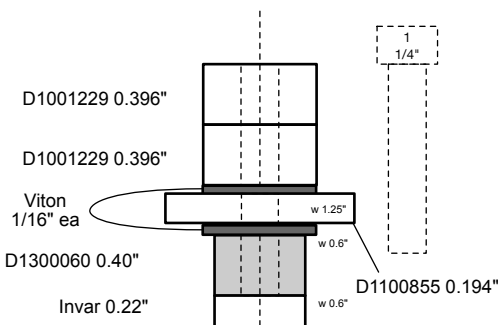


**Above
DCPD Trans / CM2**

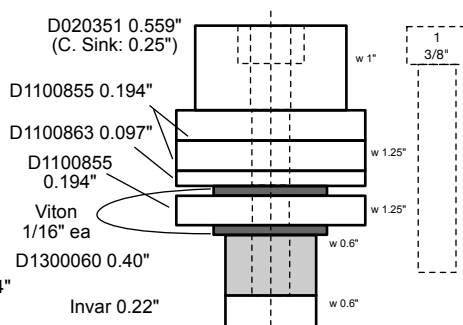


NEW: LHO OMC #001 balance mass distribution with Viton damper

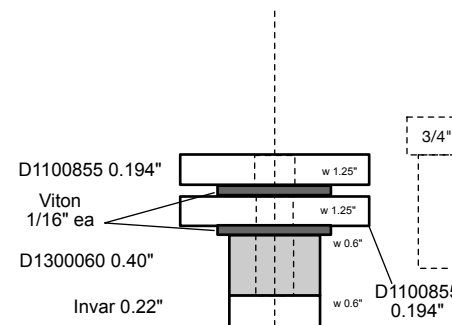
viton/10g/viton/20g/20g



viton/10g/viton/5g/10g/10g/50g



viton/10g/viton/10g



viton/10g/viton/2g/2g/10g/50g

