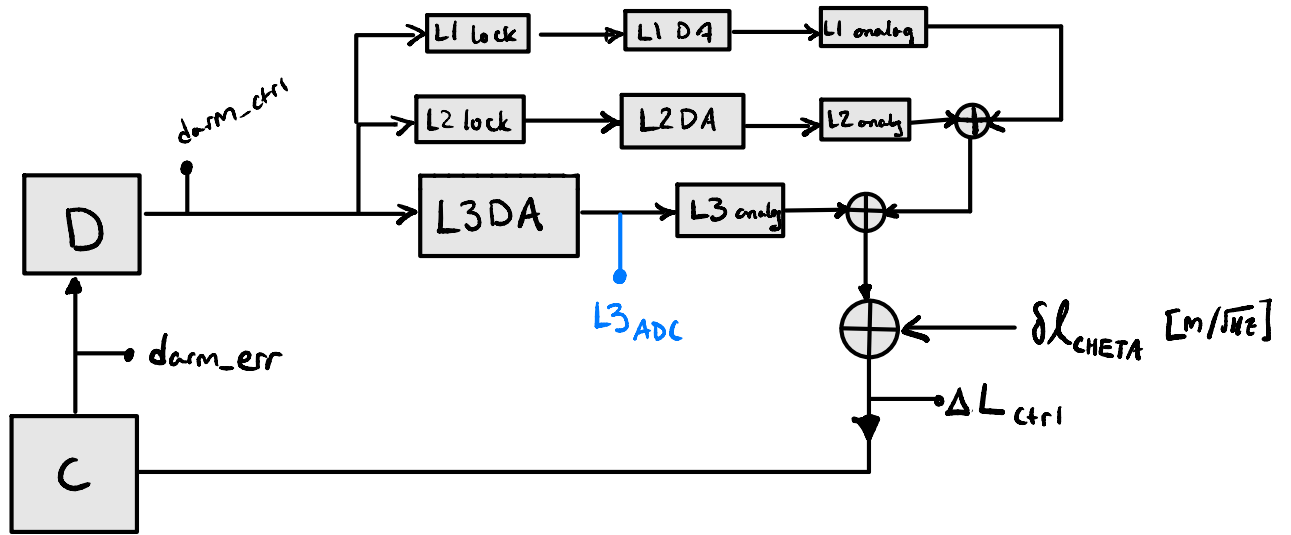


# CHETA RIN to ESD cts



$$\Delta L_{ctrl} = \delta l_{CHETA} + \Delta L_{ctrl} \underbrace{(CD(L1+L2+L3))}_G$$

$$\Delta L_{ctrl} = \frac{\delta l_{CHETA}}{1-G}$$

$$L3_{ADC} = \Delta L_{ctrl} CD(L3DA) = \frac{\delta l_{CHETA}}{1-G} \underbrace{CD(L3DA)}$$

measured w/ DTT