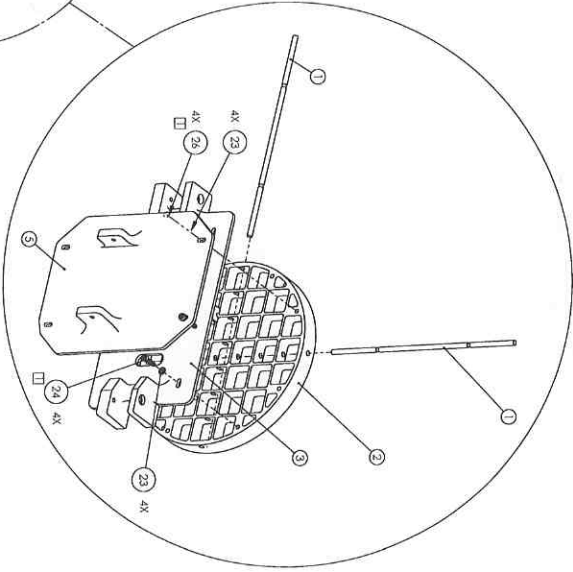
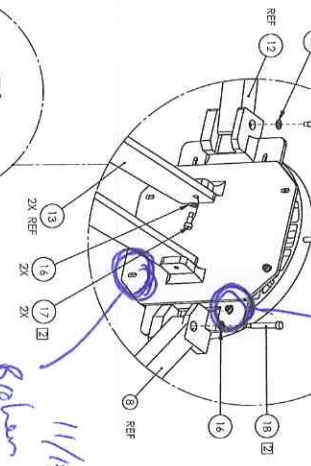


**SUPPORT PLATES - ARMS INTERFACE DETAIL**

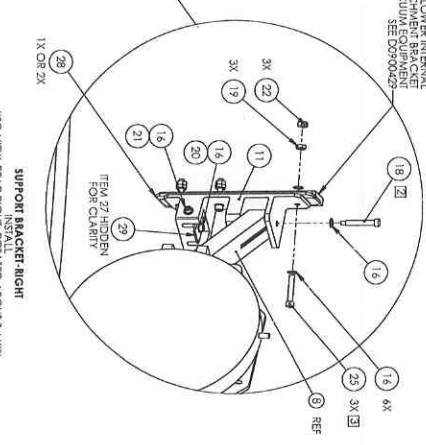
11/13/13 loose bolt



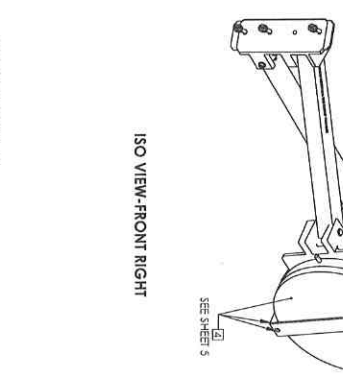
**MIRROR - SUPPORT PLATES INTERFACE DETAIL**



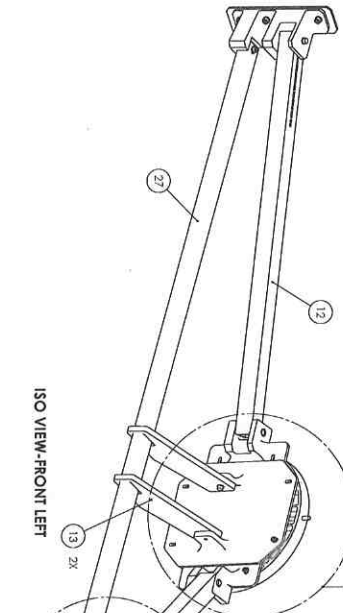
11/13/13  
broken bolt stuck left in mirror insert



**SUPPORT BRACKET-RIGHT (ISO VIEW-REAR-RIGHT, ROTATED ABOUT Z AXIS)**



**ISO VIEW-FRONT RIGHT**



**ISO VIEW-FRONT LEFT**

**D1101851-1**